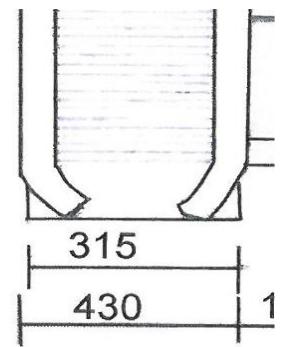
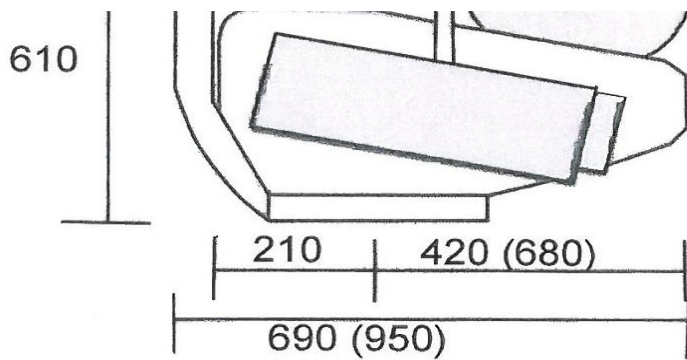


## MUNKEBO NETHAULER TYPE SM-2



### Specifications:

*This type is standard fitted with valve for the front-stop rear.*

Hydraulic motor: 200 cm<sup>3</sup>

Friction: 250 kg

Belt speed per minute: 45 m

Weight: 52 kg