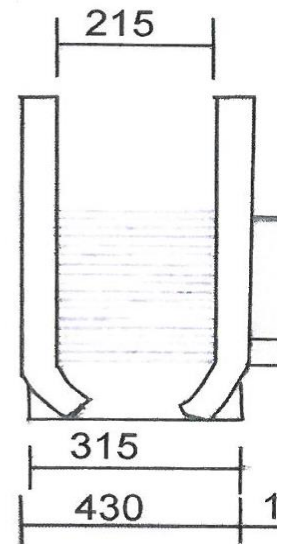
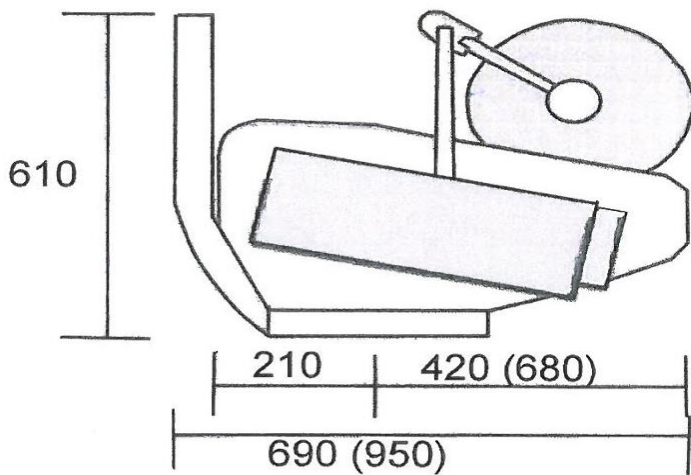


## MUNKEBO NETHAULER TYPE SM-1-HYDRAULIC



### Specifications:

*This type is standard fitted with valve for the front-stop rear.*

Hydraulic motor: 200 cm<sup>3</sup>

Friction: 200 kg

Belt speed per minute: 60 m

Weight: 64 kg