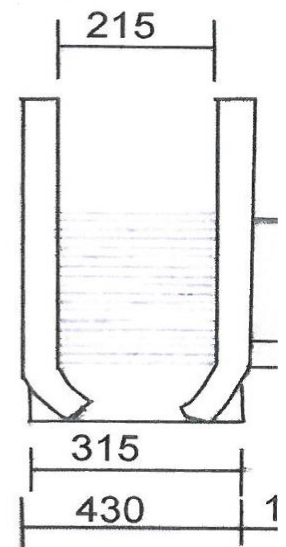
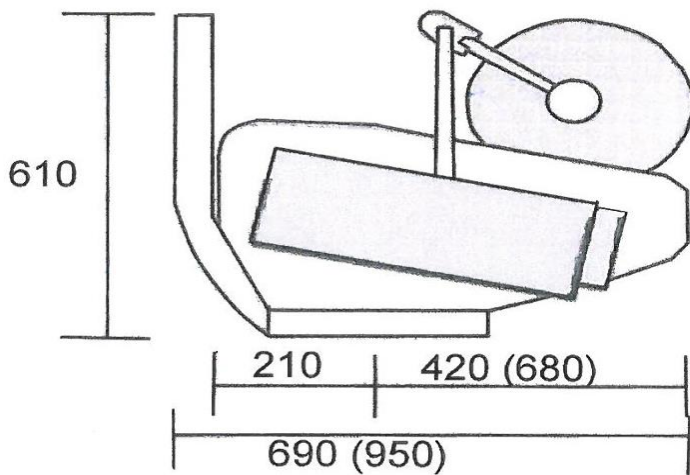


## MUNKEBO NETHAULER TYPE SM/M-1-HYDRAULIC



### Specifications:

*This type is standard fitted with valve for the front-stop rear.*

Hydraulic motor: 160 cm<sup>3</sup>

Friction: 200 kg

Belt speed per minute: 45 m

Weight: 48 kg